

NUT SPLITTERS

For Removing Frozen Nuts The Proper Way

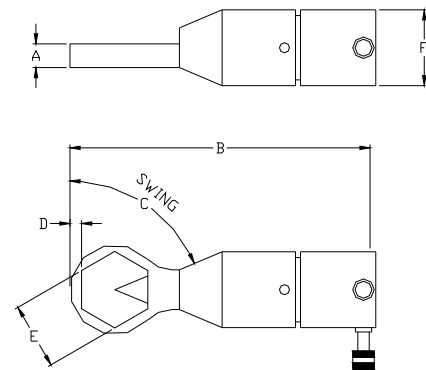


Features / Benefits :

- Safe : No Flames. No Sparks. No Risk to volatile surroundings. No Hammers Or Impact needed.. No flying fragments.
- Fast : Cuts a 3” Nut in 20 to 30 seconds vs. Approx. 20 minutes with a hammer & Chisel or torch.
- No Damage to bolt or stud threads by Calibrating the chisel so that only the nut is cut.
- Easy Set up : You can be up & away in less than 5 minutes.
- Versatile :Nut Splitters cut the hardest nuts. The range of models offered & the range of each model compares very favorably vs. The competition.
- Price : Competitive price of the unit plus savings in reduces downtime & no damage to costly bolts & studs.

Nut Splitter

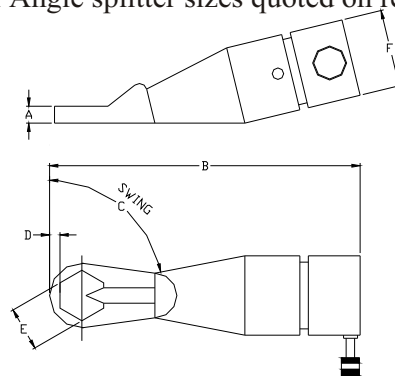
Model - BNS - 105 to Model - BNS - 506



Nut Splitter Angle Headed

Model - BNS - 100

For removing Frozen Nuts the right way.
Other Angle splitter sizes quoted on request.



Model No.	Stud Diameter		Nut A/F		A		B		C	D		E		F		Weight	
	Inch	Mm	Inch	Mm	Inch	Mm	Inch	Mm		Inch	Mm	Inch	Mm	Inch	Mm	Kg	Lbs
BNS-100	7/16-5/8	11-16	1/2-1	13-24	11/16	17.5	10.1/4	260.0	30"	1/4	6.0	1.1/16	27.0	2.7/9	72.5	3.76	8.20
BNS-105	7/16-7/8	11-12	5/8-1.7/16	16-36	1.1/2	38.1	10.7/16	271.0	60"	3/8	9.5	1.1/2	38.1	4.1/8	105.0	9.82	21.60
BNSS-200	7/8-1.1/4	22-32	1.7/16-2	36-51	1.1/2	38.1	11.5/16	297.0	45"	1/2	12.7	2.1/8	54.0	4.1/4	108.0	10.42	22.90
BNS-204	1.1/4-1.1/2	32-38	1.13/16-2.3/4	46-60	2.1/4	57.1	15.5/32	385.0	30"	9/16	14.3	2.1/2	63.5	6.7/16	164.0	32.50	71.50
BNS-210	1.3/8-1.3/4	35-45	2.1/4-2.3/4	57-70	2.1/4	57.1	15.11/16	398.0	30"	11/16	17.5	2.7/8	73.0	6.7/16	164.0	32.86	72.30
BNS-308	1.3/4-2.1/4	45-57	2.3/4-3.1/2	70-89	3.1/16	77.8	18.1/8	460.0	30"	3/4	19.0	3.7/8	98.4	8.7/16	214.0	72.12	158.66
BNS-314	1.3/4-2.1/4	50-64	3.1/8-3.7/8	79-98	3.1/8	78.4	19.7/32	488.0	30"	7/8	22.2	4.1/4	108.0	8.7/16	214.0	74.52	163.94
BNS-404	2.1/2-2.3/4	64-70	3.3/4-4.1/4	95-108	3.3/4	95.3	22.13/16	579.0	60"	1.1/8	28.6	4.5/8	117.5	9.7/8	250.8	114.18	251.20
BNS-500	3-3.1/4	78-83	4.1/2-5	114-127	4.1/8	104.8	23.7/32	590.0	60"	1.1/8	28.6	5.3/8	138.5	9.7/8	250.8	116.62	256.56
BNS-508	3.1/4-3.1/2	83-89	4.7/8-5.3/8	125-136	4.1/8	104.8	23.17/32	598.0	60"	1.1/8	28.6	5.7/8	149.2	9.7/8	250.8	119.50	262.90

* If you have an application not covered by the models above just call us & we will probably be able to design a model for you.